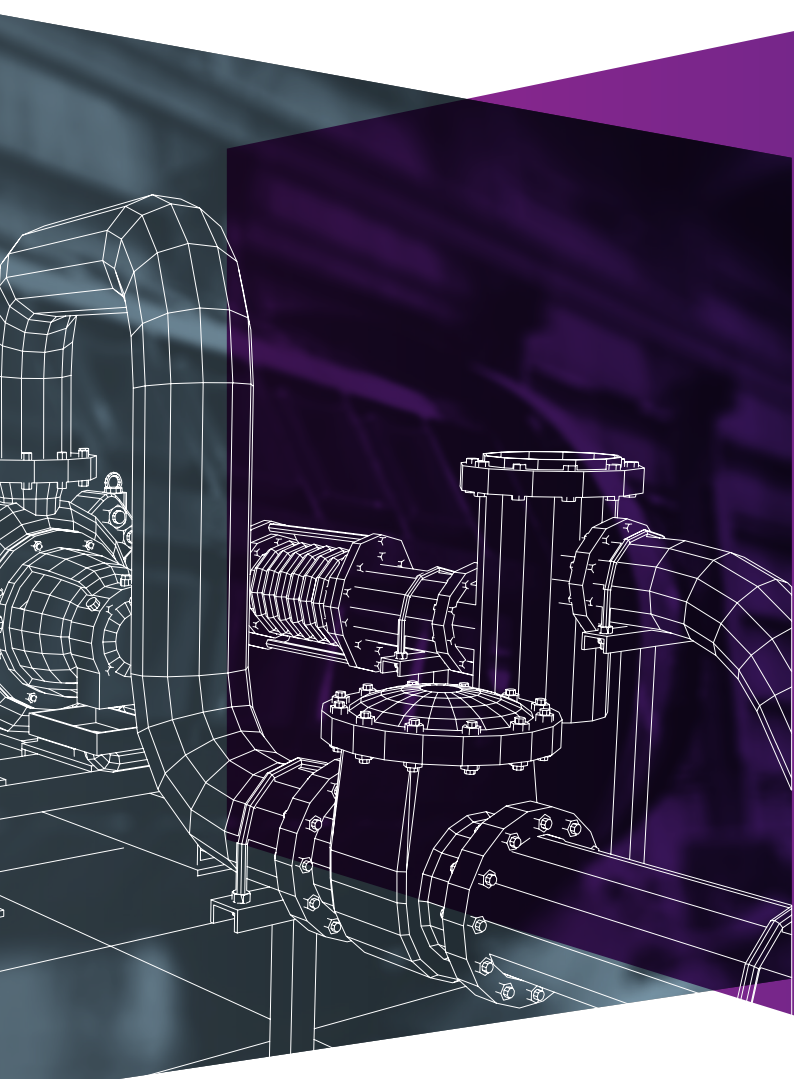


RUBBERTEC

engineered mining solutions



WEAR PANELS

- Steel backed rubber liners
- Armourtile liners
- Washboard liners
- Skirts and curved liners
- Polyurethane steel backed liners

rubbertec.com.au

Rubbertec has been providing a wide range of industry sectors with economical and practical solutions to problems involving rubber and associated products or premature plant failure due to excessive wear or corrosion.

approved applicators for –



RUBBERFLEX



RT TYPE WEAR PLATE

Rubbertec RT Type Wear Plates are made from a premium grade 60 Duro Natural / SBR rubber designed to display excellent resistance to impact, tear and abrasion.

Reinforced with a full steel backing plate, they offer stability and wear protection in the most demanding applications. RT Type Wear Plates can be easily fastened by using through bolts or stud welding.



AVAILABLE SIZES

STANDARD THICKNESSES (T)

- » 30mm, 40mm, 50mm, 60mm, 75mm, 80mm, 100mm, 125mm, 150mm

STANDARD WIDTHS (W)

- » 500mm, 600mm, 750mm, 1000mm, 1500mm

STANDARD LENGTHS (L)

- » 1000mm, 1500mm, 2000mm

Custom size wear plates are available upon request.

APPLICATIONS

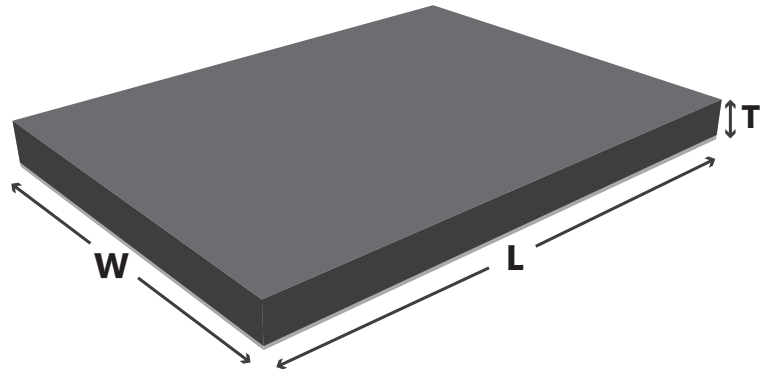
Rubbertec RT Type Wear Plates can be used in a wide variety of high wear applications including:

- » Hoppers
- » Chutes
- » Feeders
- » Truck bodies
- » Conveyor transfer and discharge points

THICKNESS

RT Type Wear plates are available in a wide range of standard thicknesses from 25mm up to 150mm.

They are supplied with standard 5mm thick steel backing plate or heavy duty 10mm steel backing plate.



TECHNICAL PROPERTIES

polymer	NR/BR	
colour	Black with steel backing	
specific gravity	1.12 g/cm ³	ASTM D297
hardness	60° ± 5° Shore A	ASTM D2240
abrasion	150 mm ³ (max) @ 10N	ASTM D5963
tensile strength	17.5 MPa (min)	ASTM D412
elongation @ break	450 % (min)	ASTM D412
tear strength	30 N/mm (min)	ASTM D624
Temperature Range	-20°C to +70°C	

ARMOURTILE

ARMOURTILE is the result of over 12 months of investigating various ceramic manufacturers, their products, procedures and QA systems.

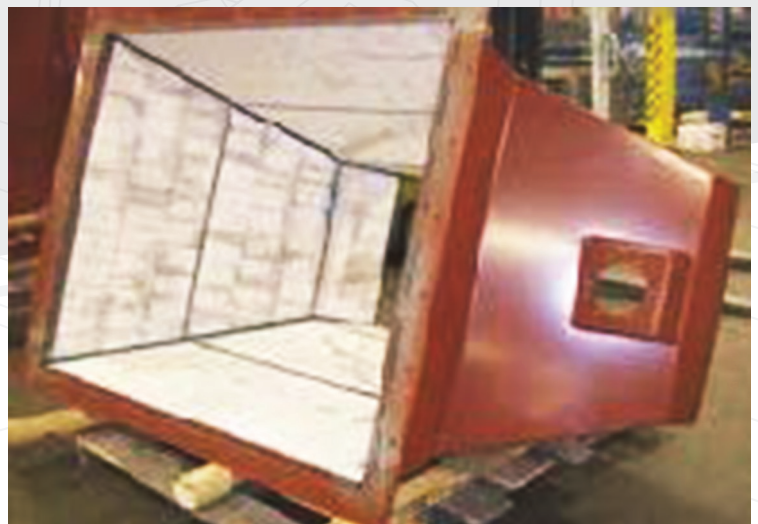
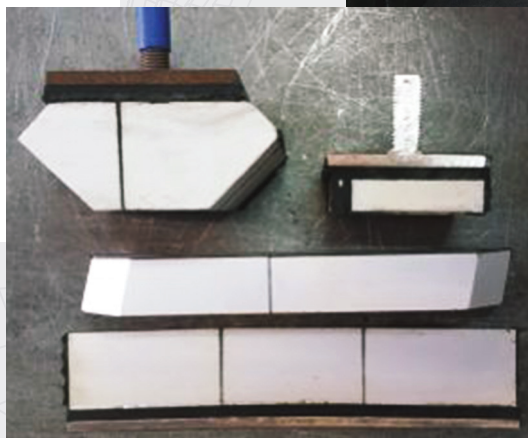
To support this we engaged independent testing of the ceramic composition and bond strengths.

ARMOURTILE is a large format design liner in industry standard sizes or cut to size and shape for the job.

FIT FOR PURPOSE APPLICATIONS

- » *Transfer Chutes*
- » *Deflectors*
- » *Impact Plates*
- » *Launders*
- » *Hoppers*
- » *Stackers*
- » *Reclaimers*

Technical information available upon request.



RUBBERTEC

engineered mining solutions

Rubbertec is a privately-owned Australian company servicing the needs of industry for rubber linings.

We use both hot vulcanised and cold vulcanised methods, hand-built rubber material handling (or mining) hose, custom fabrications and offer supply of sheet and roll rubber.

MELBOURNE

☎ 03 9357 0600
☎ 03 9357 0686
✉ sales@rubbertec.com.au

3-7 Freeman Street
Campbellfield VIC 3061

PERTH

☎ 08 9250 4883
☎ 08 9250 4886
✉ sales@rubbertec.com.au

33 Stanhope Gardens
Midvale WA 6056



Quality systems ISO 9001:2008 and OHS&E policies have been implemented to ensure our customers are receiving quality product, manufactured in a safe and compliant manufacturing facility.

